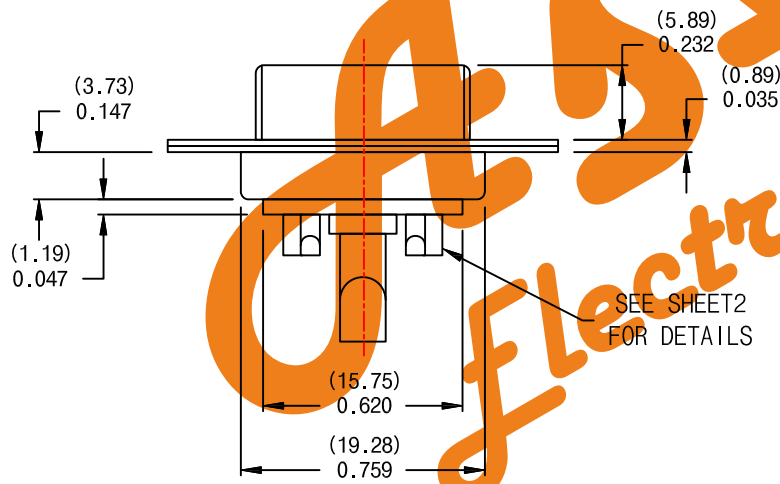
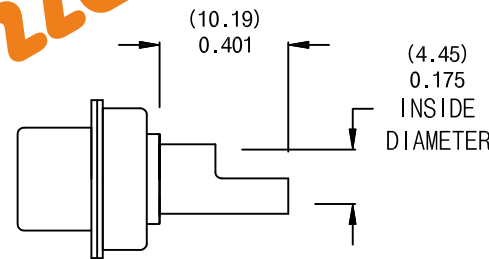
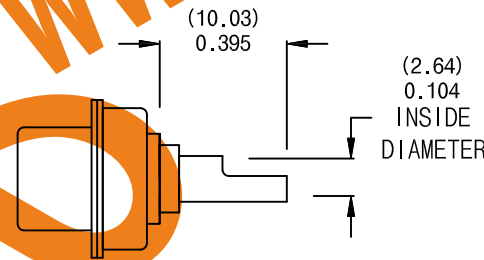
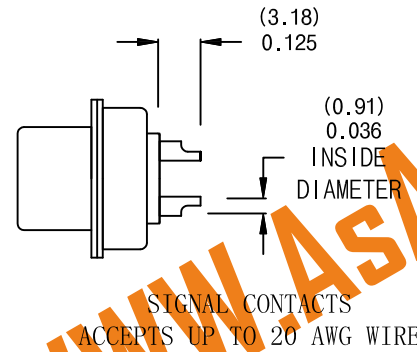
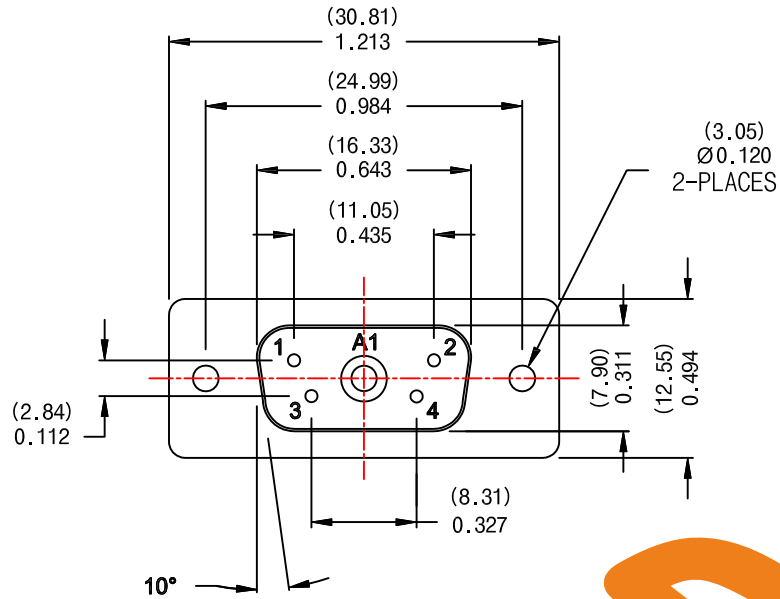


ROHS COMPLIANT

# POWER D-SUB 5W1 SOLDER CUP-FEMALE



## SPECIFICATIONS:

### ELECTRICAL:

INSULATOR RESISTANCE: 5,000 MegOHMS Min.  
 DIELECTRIC WITHSTANDING: 1,000 VAC r. m. s.  
 OPERATING TEMPERATURE: -55°C ~ +125°C  
 CONTACT RESISTANCE: 30 MILLIOHMS Max.  
 POWER PINS: SEE PART No. BELOW

### MECHANICAL:

CONTACT INSERTION FORCE: 4.5kg Max  
 CONTACT SEPARATOR FORCE: 0.3kg Min

### MATERIALS:

CONTACTS: BRASS  
 INSULATOR: PBT UL94V-0 RATED, 230°C PROCESS TEMP.  
 SHELL: STEEL

### SHELL:

### FINISH:

### SHELL:

NICKEL

Ordering Code:

PDB5W1	-F	-G0	-B	-20	-00
①	②	③	④	⑤	⑥

- ① Series
- ② Contact Type:  
M:Male F:Female
- ③ Contact NO.:  
G0: Gold flash G1: 3u" Gold  
G2: 5u" Gold G3: 10u" Gold  
G4: 15u" Gold G5: 30u" Gold
- ④ Insulation Color Code:  
B:Black L:Blue  
W:White
- ⑤ Power AMP:  
10 = 10AMPS; 20 = 20AMPS;  
30 = 30AMPS; 40 = 40AMPS;
- ⑥ Series no

Unless Otherwise specified tolerance  
 X.±0.35  
 X.X:±0.25  
 X.XX:±0.20  
 X.XXX:±0.15



ASA Electronic Co.

Tel : (+98) 21 66 73 56 82 Mob : (+98) 912 03 161 02

SCALE: 1:1 UNIT: IN (mm)

DRAWN: junfon H

TITLE:  
POWER D-SUB 5W1 SOLDER CUP-FEMALE

CHECKED: YANG

DRAWING NO: PDB5W1-FXXXXX00

12/5/3

DATE



PRODUCT NO: PDB5W1-FXXXXX00